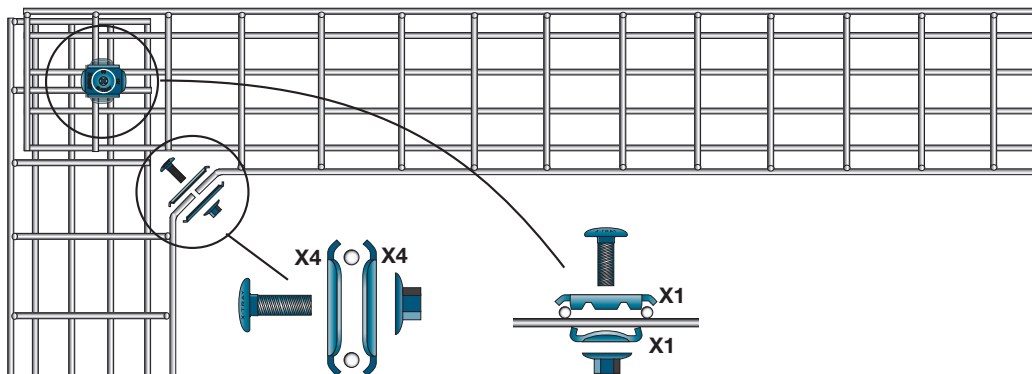


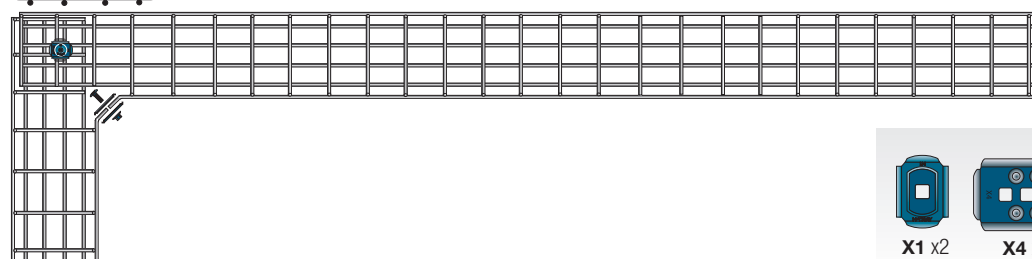
# MOUNTING INSTRUCTIONS

ANGLES **X1**

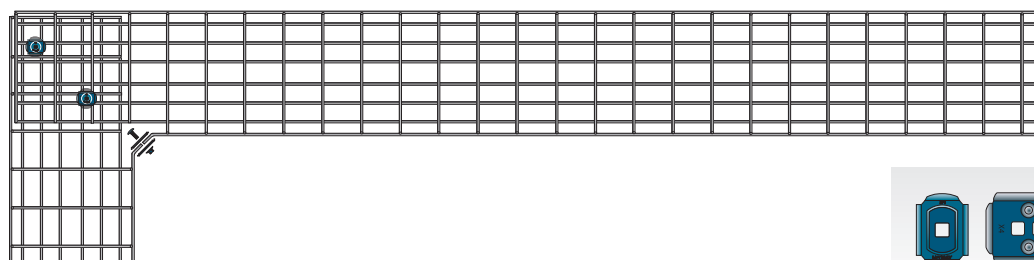
**X4**



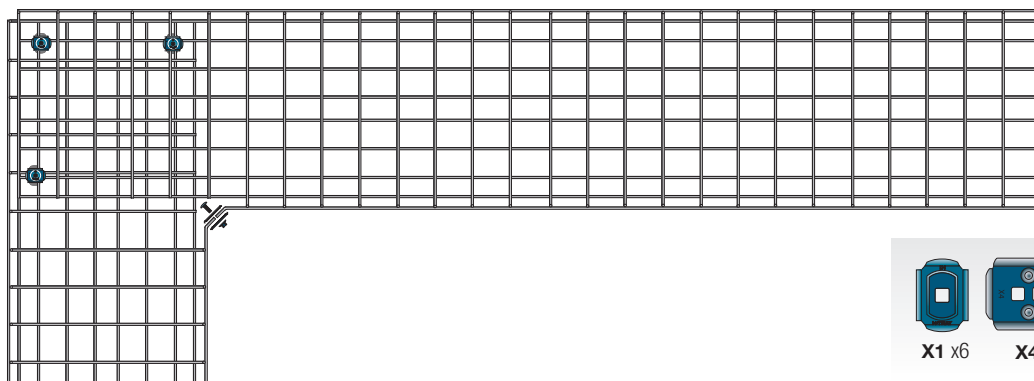
60-220



320-420



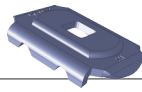
520-620



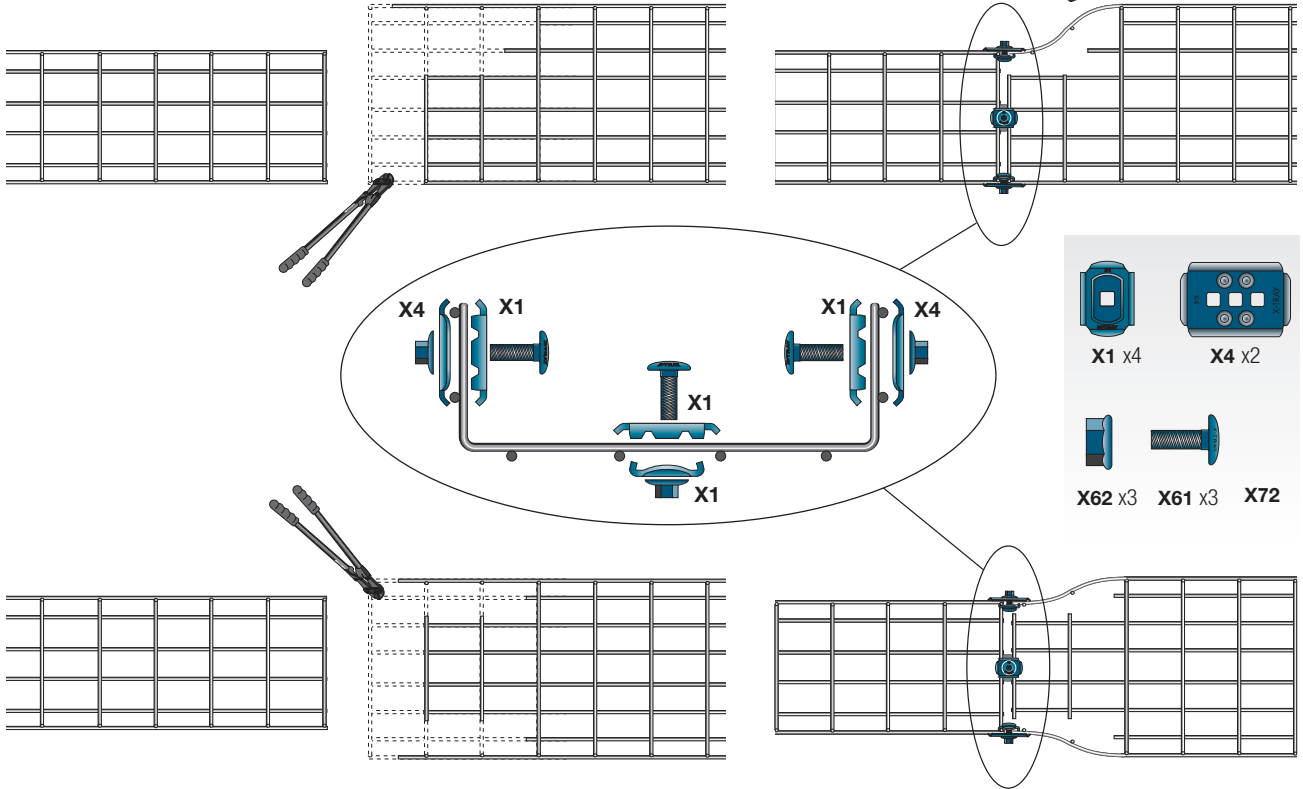
# MOUNTING INSTRUCTIONS

## REDUCTION

**X1**



**X4**



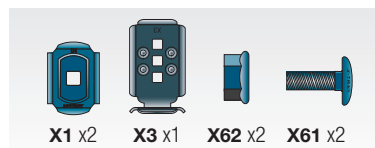
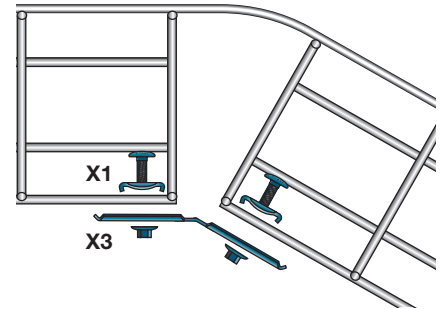
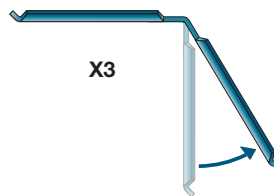
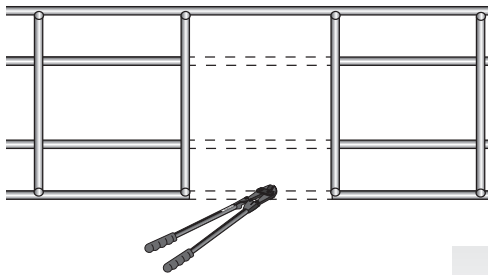
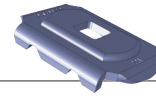
# MOUNTING INSTRUCTIONS

## CURVE

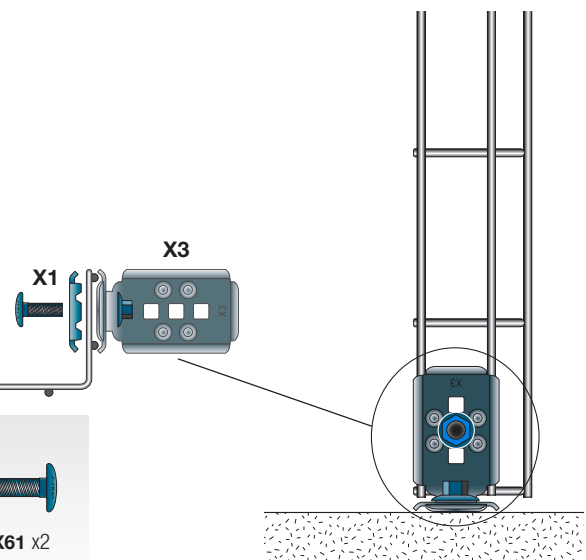
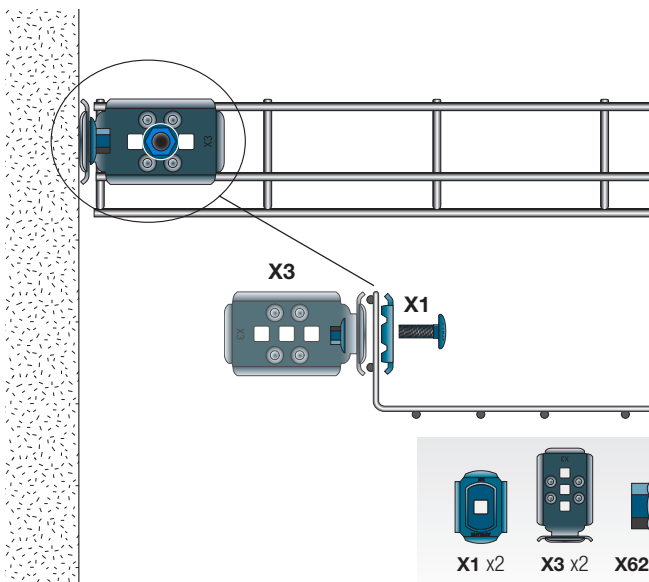
**X3**



**X1**



## MOUNTING



# MOUNTING INSTRUCTIONS

T-JUNCTIONS **X1**

**X3**

