

AXELENT PRODUCT INFORMATION

» X-GUARD® ACCESSORIES



X-GUARD® TOP FRAME FITTINGS FOR DOUBLE HINGE DOORS

X-Guard is a complete range of machine guards designed to comply with the Machinery Directives 2006/42/EC which placed new demands on permanent guards from 29 December 2009. With its wide range of standard components and accessories, X-Guard is guaranteed to cover all possible machine guard applications. X-Guard was launched in 2008, since then new panel sizes have been added. We listen to our customers to enable us to develop the range as new needs arise.

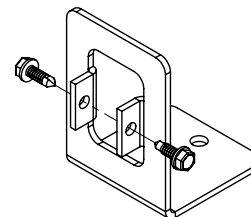
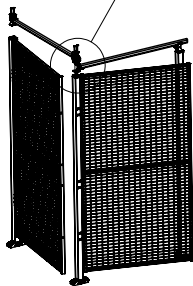
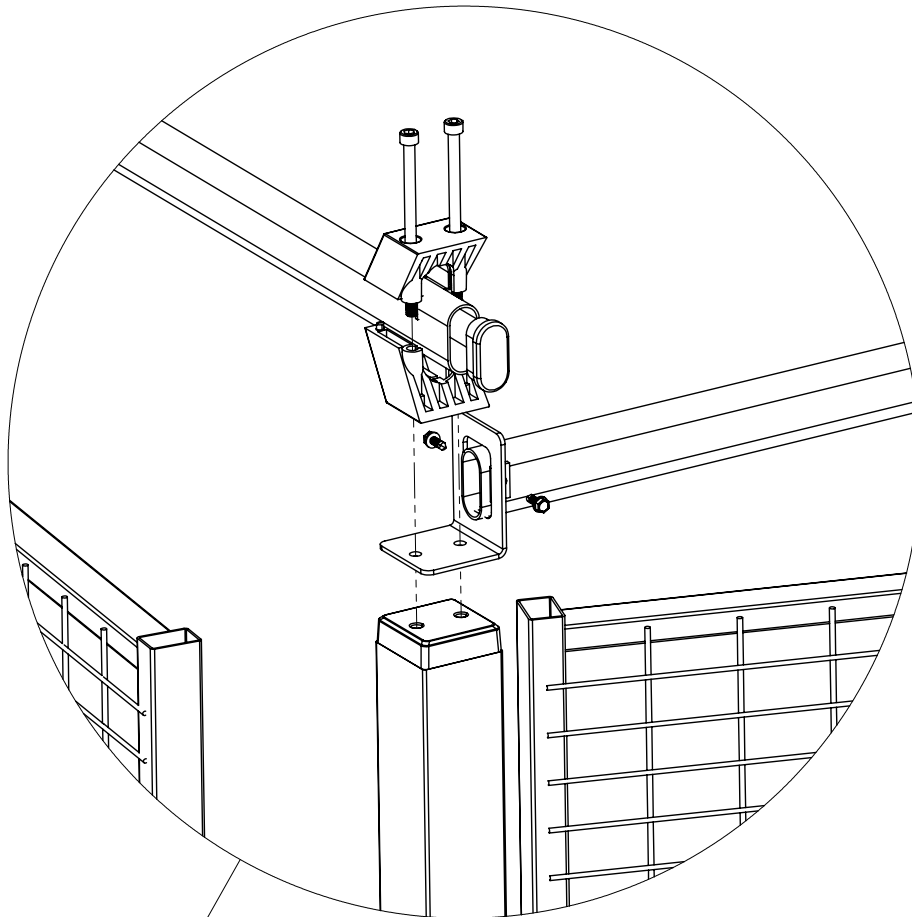
The top frame make sure you get a stable door construction on your machine guarding and the width of the top frame can be adjusted during assembly. To be able to put two doors in a corner you will need this bracket.

AXELENT PRODUKTINFORMATION

» X-GUARD® ACCESSORIES

TECHNICAL DATA

Art no.	Description
T01-05	Top frame fittings for double hinge doors in corner



X
AXELENT